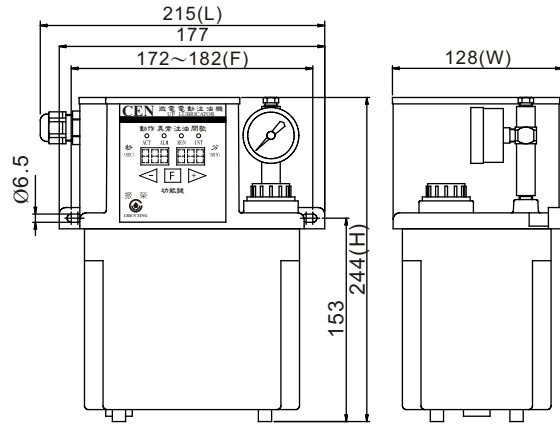




CEN04 Type Pressure-Relief Electric Lubricator

CEN04 Type Pressure-Relief Electric Lubricator



CEN04-01 Type Standards Externals

◆ Features

1. CEN04 type has time and the timer controls the operation and interval time. The electronic box has operation, abnormal, feeding and interval indicators.
2. The electronic box can automatically save the original operation and interval time while the power is suddenly off. After turning on the power, it would return to the original setting time and start the cycle again.
3. CEN04 pressure-relief type has to work with volume distributors. If it is operated with CAB or CBB type volume distributor, it will feed oil during operation time. If it is operated with CDB or T type volume distributor, it will feed oil during interval time.
4. The discharge volume is fixed. The lubrication points of volume distributor supply a fixed flow of oil.
5. It has shaded-pole type motor with a temperature controller. When the temperature reaches 100 degrees, the motor will shut down 5 minutes to protect the motor.
6. It has a pressure switch device and been set up as 8kg/cm², which assures the oil volume of lubrication point and check if the piping works normally. The standard specification is NC (Normal Close) contact, which means if the pressure is abnormal, it will have signal.
7. It has a float switch that can detect the volume of oil. It will have abnormal signal automatically when the oil level is lower than the standard.
8. It has a buzzer that will alarm when the oil level is lower than the standard
9. It has a pressure gauge for checking if the pressure is normal.
10. It has a feed-oil button ([F] button), press the button and the oil will feed immediately.
11. Its function is similar to CEN03 type. The difference is CEN03 type is without timer and CEN04 type is controlled by a timer. CEN01 and CEN02 types are resistance type lubricators.

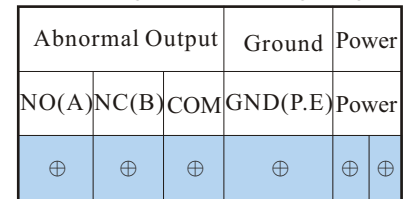
◆ Application of Machines Equipment

1. It can be used for the machines requiring strictly rationing oil flow.
2. It is usually used for such as processing machines or projecting machines.

Model	Act Time	Interval Time	Motor	Max Volume	Max Pressure	1Ø Voltage	Ampere	Hertz	Discharge Bore	Oil Viscosity
CEN04	1-999 sec	1-999sec or min	12W	130 cc/min	15kgf/cm ²	110V 220V	2.5A 1A	60Hz or 50Hz	φ 4or φ 6	32-68cSt@40°C

Model	Tank Code	Tank Material	Capacity	Fixed Hole Distance(mm)	Length (mm)	Width (mm)	Height (mm)	Weight (kg)
CEN04	01	Resin	2L	177	215	128	244	4.00
	02	Aluminum	2L	200	218	145	235	5.20
	03	Resin	2.5L	205	230	167	244	4.60
	04	Resin	4L	250	277	162	264	5.20
	05	Aluminum	4L	280	298	167	255	6.15
	08	Iron	4L	338	355	190	280	8.85

CEN04 Single Phase Wiring Diagram



◆ Order code :

CEN	04	01	2	C	3	※
Model	Tank Capacity(Material)	Time (Act x Interval)	Voltage	Discharge Bore	Special Request	
04 : Pressure-Relief Type, Controlled By Timer	01 : 2L (Resin)	1 : sec x sec	A : 110V,60Hz	0 : Ø4		
	02 : 2L (Aluminum)	2 : sec x min	B : 220V,50Hz	1 : Ø6		
	03 : 2.5L (Resin)		C : 220V,60Hz	2 : Ø4 (With Pressure Gauge)		
	04 : 4L (Resin)			3 : Ø6 (With Pressure Gauge)		
	05 : 4L (Aluminum)					
	08 : 8L (Iron)					

CENB Type Pressure-Relief Electric Lubricator



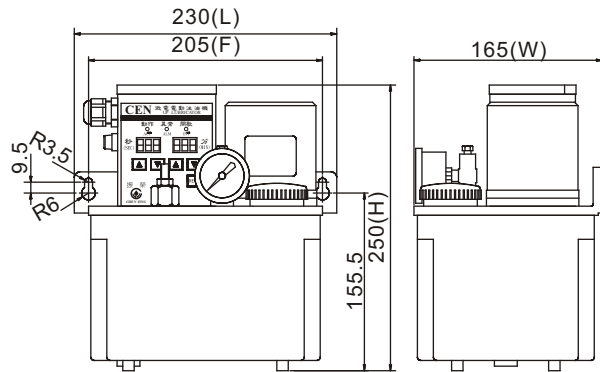
◆Taiwanese Patent NO.157504



CENB-03
Type Standards



CENB-03
Type With Larger Buzzer



CENB-03
Type Standards Externals

◆Features

- 1.CENB type has Taiwanese Patent No. 157504, Chinese Patent No. ZL02200902.7 and Japanese Patent No. 3016033.
- 2.CENB type has a timer and the timer controls the operation and interval time. The electronic box has operation, abnormal and interval indicators.
- 3.CENB type has to work with volume distributors. If it is operated with CAB or CBB type volume distributor, it will feed oil during operation time. If it is operated with CDB or T type volume distributor, it will feed oil during interval time.
- 4.Rationing oil feeding. The flow of oil of each output point of volume distributors is equal.
- 5.It used a fuse to eliminate unusual electric current and prevent the motor from overloading.
- 6.It has a pressure switch device and been set up as $8\text{kg}/\text{cm}^2$, which assure the oil volume of lubrication point and check if the piping works normally. The standard specification is NC (Normal Close) contact, which means if the pressure is abnormal, it will have signal.
- 7.It has a float switch that can detect the level of oil tank. It will have abnormal signal automatically when the oil level is lower than the standard.
- 8.It has a pressure-regulating valve, which can adjust the pressure and easy to check from the pressure gauge.
- 9.It has a reset button (RES button), press the button and it will start the cycle again.
- 10.There's a small buzzer inside but also can be added a bigger one on customers' request.

◆Application of Machines Equipment

- 1.It can be used for the machines requiring strictly rationing oil flow.
- 2.It can be specially used for the machines requiring larger oil-output and larger pressure-output.
- 3.It is usually used for such as processing machines or projecting machines.

CENB Single Phase Wiring Diagram

Abnormal Output		Ground	Power
NO(A)	NC(B)	COM	GND(P.E) Power
⊕	⊕	⊕	⊕ ⊕

Model	Act Time	Interval Time	Motor	Max Volume	Max Pressure	1Ø Voltage	Ampere	Hertz	Discharge Bore	Oil Viscosity
CENB	1-999sec	1-999min or 1-999sec	25W	250 cc/min	$20\text{kgf}/\text{cm}^2$	110V 220V	0.5A 0.25A	50/60Hz	ø 4 or ø 6	32-68cSt@40°C
			60W	600 cc/min	$30\text{kgf}/\text{cm}^2$	110V 220V	1.2A 0.6A			

Model	Tank Code	Tank Material	Capacity	Fixed Hole Distance(mm)	Length (mm)	Width (mm)	Height (mm)	Weight (kg)
CENB (25W)	03	Resin	2.5L	205	230	165	250	5.40
	04	Resin	4L	250	275	160	270	5.90
	05	Aluminum	4L	280	298	165	260	6.75
	08	Iron	8L	338	355	190	290	9.90
CENB (60W)	04	Resin	4L	250	275	160	320	6.95
	05	Aluminum	4L	280	298	165	310	7.80
	08	Iron	4L	338	355	190	340	10.95

◆Order code :

CEN	B	03	2	C	25	3	※
Model :	Tank Capacity(Material)	Time (Act x Interval)	Voltage	Motor	Discharge Bore	Special Request	
B : Pressure-Relief Type	03 : 2.5L (Resin) 04 : 4L (Resin) 05 : 4L (Aluminum) 08 : 8L (Iron) 12 : 12L (Iron) 16 : 16L (Iron)	1 : sec x sec 2 : sec x min	A : 110V C : 220V	25 : 25W	0 : ø 4 1 : ø 6 2 : ø 4 (With Pressure Gauge) 3 : ø 6 (With Pressure Gauge)	※60 : 4L above metal tank could be assembled with 60W motor. ※90 : 4L above metal tank could be assembled with 90W motor. ※B : Add a larger buzzer	

CENB Type Pressure-Relief Electric Lubricator



CEAB Type Pressure-Relief Electric Lubricator

CEAB Type Pressure-Relief Electric Lubricator



CEAB-05(25W)



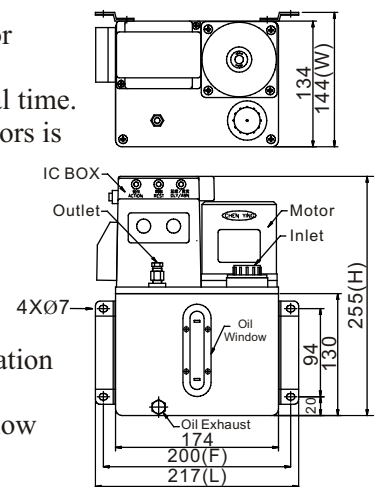
CEAB-05(60W)



CEAB-02

◆ Features

1. CEAB type has a timer and the timer controls the operation and interval time. The electronic box has operation, abnormal and interval indicators.
2. CEAB type has to work with volume distributors. If it is operated with CAB or CBB type volume distributor, it will feed oil during operation time. If it is operated with CDB or T type volume distributor, it will feed oil during interval time.
3. Rationing oil feeding. The flow of oil of each output point of volume distributors is equal.
4. It has a float switch that can detect the volume level of oil and will have abnormal signal automatically when the oil level is lower than the standard.
5. It has a buzzer, which will alarm when the oil level is lower than the standard.
6. It has a feed-oil button, press the button and the oil will feed immediately.
7. It used a high quality alloy steel gear pump and induction motor that not only has steady output pressure and low noise, but also can assure each lubrication point with output of oil. It can be applied for large machines' request.
8. When CEAB assembles with 25W motor, the max pressure is 20 kg/cm², the flow rate is 250cc/min. And when assembles with 60W motor, the max pressure is 30 kg/cm², the flow rate is 600cc/min.
9. CEAB 4L has pressure-regulating valve and pressure gauge for adjusting the pressure and checking if the pressure is normal.



CEAB-02 Type Standards Externals

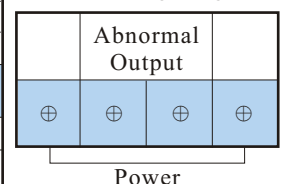
◆ Application of Machines Equipment

1. It can be used for the machines requiring strictly rationing oil flow.
2. It can be specially used for the machines requiring larger oil-output and larger pressure-output.

Model	Act Time	Interval Time	Motor	Max Volume	Max Pressure	1Ø Voltage	Ampere	Hertz	Discharge Bore	Oil Viscosity
CEAB	3sec-3min	1-60min	25W	250cc/min	20kgf/cm ²	110V	0.7A	50/60Hz	ø 4orø 6	32-68cSt@40°C
		1-180min 1-360min	60W	600cc/min	30kgf/cm ²	110V 220V	1A 0.65A			

Model	Tank Code	Tank Material	Capacity	Fixed Hole Distance(mm)	Length (mm)	Width (mm)	Height (mm)	Weight (kg)
CEAB (25W)	02	Aluminum	2L	200	217	144	255	5.82
	04	Resin	4L	250	269	184	276	5.65
	05	Aluminum	4L	280	311	184	276	6.60
	08	Iron	8L	338	355	189	295	9.81
CEAB (60W)	04	Resin	4L	250	275	160	255	6.70
	05	Aluminum	4L	280	298	165	310	7.65
	08	Iron	8L	338	355	190	340	10.87

CEAB Single Phase Wiring Diagram



◆ Order code :

CE AB 02 060 C 25 1 ✱

Model :	Tank Capacity(Material)	Interval	Voltage	Motor	Discharge Bore	Special Request
B :	02 : 2L (Aluminum)	060 : 60min	A : 110V	25 : 25W	0 : Ø 4	✱60 : 4L above metal tank could be assembled with 60W motor.
Pressure-Relief Type	04 : 4L (Resin)	180 : 180min	C : 220V		1 : Ø 6	
	05 : 4L (Aluminum)	360 : 360min			2 : Ø 4 (With Pressure Gauge)	✱90 : 4L above metal tank could be assembled with 90W motor.
	08 : 8L (Iron)				3 : Ø 6 (With Pressure Gauge)	
	20 : 20L (Iron)					