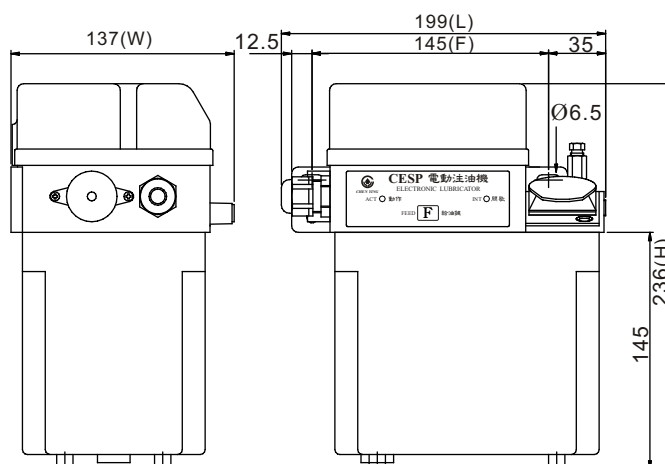


CESP Dial Type Electric Lubricator



◆Taiwanese Patent NO.M270302



CESP-01 Type Standards External

◆Features

- 1.CESP type is a new product which has Taiwanese patent NO. M270302.
- 2.The time adjuster of CESP is inside the wire box. The standard of CESP type, operation time is 2,3,5,10,15,20, 25,30 sec optional , and interval time is 3,5,10,15,20,30,60,180 min optional.
- 3.The electronic box has operation indicator and interval indicator. Two types of this CESP series, CESP Turn On-Feeding Type and CESP Turn On-Interval Type, both could automatically save the original operation and interval time. If the power is suddenly off, after turning on the power, both would start the cycle again.
- 4.It has a buzzer that will alarm when the oil level is lower than the standard.
- 5.It has a feed-oil button (**[F]** button), press the **[F]** button and the oil will feed immediately.
- 6.It has a float switch that can detect the volume of oil. It will have continuous signal automatically when the oil level is lower than the standard.

◆Application of Machines Equipment

- 1.CESP Turn On-Feeding Type is suitable for the machinery that needs automatically oil feeding after turning on the power.
- 2.CESP Turn On-Interval Type is suitable for the machinery that has to avoid feeding oil immediately after turning on the power.

Model	Act Time	Interval Time	Motor (W)	Max Volume	Max Pressure	1ØVoltage (V)	Ampere (A)	Hertz (Hz)	Discharge Bore	Pressure Gauge	Oil Viscosity
CESP	2,3,5,10, 15,20,25, 30 sec Optional	3,5,10,15, 20,30,60, 180 min Optional	12W	135 cc/min	10kgf/cm ²	110V 220V	1.6A 0.6A	60Hz or 50Hz	Ø4orØ6	Optional	32-68cSt@40°C

Model	Tank Code	Tank Material	Capacity	Fixed Hole Distance(mm)	Length (mm)	Width (mm)	Height (mm)	Weight (kg)
CESP	01	Resin	2L	145	199	124	236	2.30
	02	Aluminum	2L	200	202	134	224	3.50
	03	Resin	2.5L	205	230	167	232	2.80
	04	Resin	4L	250	256	162	277	3.45
	05	Aluminum	4L	280	275	150	246	4.45
	08	Iron	8L	338	355	197	261	7.20

CESP Single Phase Wiring Diagram

Power	Ground	Abnormal Output		
Power	GND(P.E)	COM	NO(A)	NC(B)
⊕	⊕	⊕	⊕	⊕

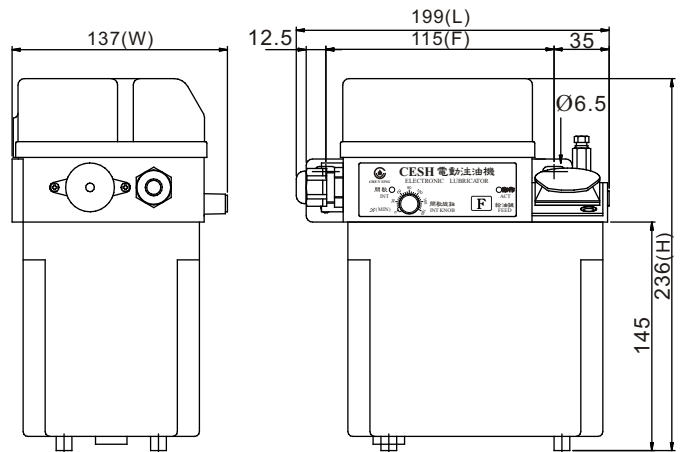
◆Order Code :

CESP	01	C	1	2	※
Model	Tank Capacity (Material)	Voltage	Discharge Bore	Operation Model	Special Request
P : Dial Type	01 : 2L (Resin)	A : 110V,60HZ	0 : Ø4	1 : Turn on-Feeding	
	02 : 2L (Aluminum)	B : 220V,50HZ	1 : Ø6	2 : Turn on-Interval	
	03 : 2.5L (Resin)	C : 220V,60HZ	2 : Ø4 (With Pressure Gauge)		
	04 : 4L (Resin)		3 : Ø6 (With Pressure Gauge)		
	05 : 4L (Aluminum)				
	08 : 8L (Iron)				



CESH Single Time Adjuster Type Electric Lubricator

◆Taiwanese Patent NO.M269392



CESH-01 Type Standards Externals

◆Features

- 1.CESH type is a new product which has Taiwanese patent NO. M269392.
- 2.The standard of CESH type, operation time is 10 sec fixed, and interval time is 1-60 min or 1-180 min optional.
- 3.The electronic box has operation indicator and interval indicator. Two types of this CESH series, CESH Turn On-Feeding Type and CESH Turn On-Interval Type, both could automatically save the original operation and interval time. If the power is suddenly off, after turning on the power, both would start the cycle again.
- 4.It has a buzzer that will alarm when the oil level is lower than the standard.
- 5.It has a feed-oil button (**[F]** button), press the **[F]** button and the oil will feed immediately.
- 6.It has a float switch that can detect the volume of oil. It will have continuous signal automatically when the oil level is lower than the standard.

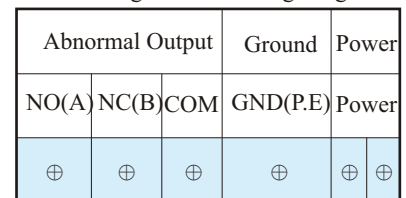
◆Application of Machines Equipment

- 1.CESH Turn On-Feeding Type is suitable for the machinery that needs automatically oil feeding after turning on the power.
- 2.CESH Turn On-Interval Type is suitable for the machinery that has to avoid feeding oil immediately after turning on the power.

Model	Act Time	Interval Time	Motor	Max Volume	Max Pressure	1Ø Voltage (V)	Ampere (A)	Hertz (Hz)	Discharge Bore	Pressure Gauge	Oil Viscosity
CESH	10 sec (Non-adjustable)	1-180 min or 1-60 min Optional	12W	135 cc/min	10kgf/cm ²	110V 220V	1.6A 0.6A	60Hz or 50Hz	Ø4 or Ø6	Optional	32-68cSt@40°C

Model	Tank Code	Tank Material	Capacity	Fixed Hole Distance (mm)	Length (mm)	Width (mm)	Height (mm)	Weight (kg)
CESH	01	Resin	2L	145	199	137	236	2.30
	02	Aluminum	2L	200	202	139	224	3.50
	03	Resin	2.5L	205	230	167	232	2.80
	04	Resin	4L	250	256	162	277	3.45
	05	Aluminum	4L	280	275	150	246	4.45
	08	Iron	8L	338	355	197	261	7.20

CESH Single Phase Wiring Diagram



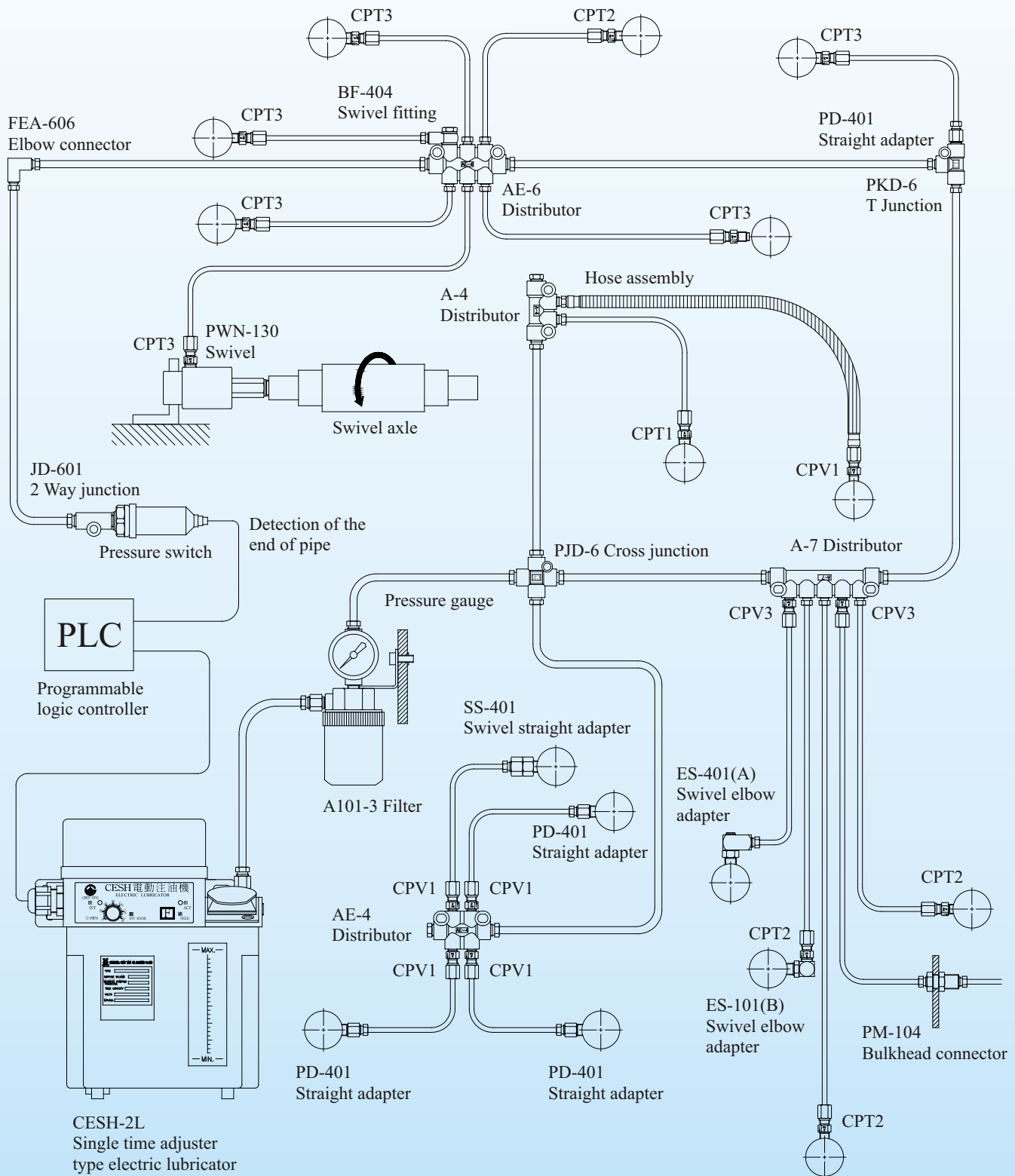
◆Order Code :

CESH	01	2	C	1	2	※
Model	Tank Capacity(Material)	Time (Act x Interval)	Voltage	Discharge Bore	Operation Model	Special Request
H : Single	01 : 2L (Resin)	1 : 10 sec x 60 min	A : 110V,60HZ	0 : Ø4	1 : Turn on-Feeding	
Time	02 : 2L (Aluminum)	2 : 10 sec x 180 min	B : 220V,50HZ	1 : Ø6	2 : Turn on-Interval	
Adjuster	03 : 2.5L (Resin)		C : 220V,60HZ	2 : Ø4 (With Pressure Gauge)		
	04 : 4L (Resin)			3 : Ø6 (With Pressure Gauge)		
	05 : 4L (Aluminum)					
	08 : 8L (Iron)					

CESH Single Time Adjuster Type Electric Lubricator



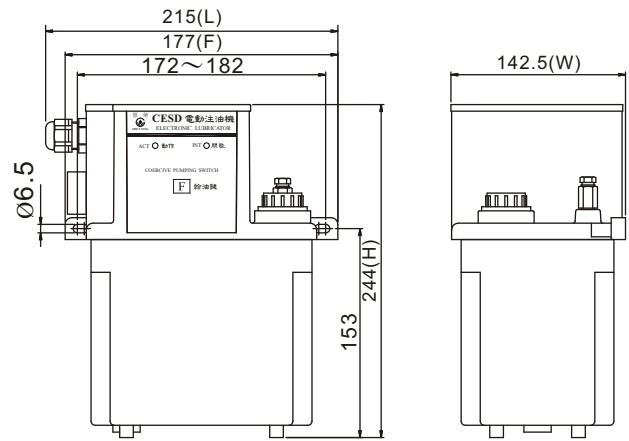
CESH Single Time Adjuster Type Electric Lubricator





CESD Type Resistance Electric Lubricator

CESD Type Resistance Electric Lubricator



CESD-01 Type Standards Externals

◆ Features

1. The time adjuster of CESD is inside the wiring box. The electronic box has operation indicator and interval time indicator.
2. Two types of this CESD series, Turn On-Feeding Type will feed oil after turning on the power. Turn On-Interval Type will be interval after turning on the power and this type can memorize the original setting time automatically, if the power is suddenly off, after turning on the power, it would continue the unfinished work and avoid repeating to feed oil.
3. It has shaded-pole type motor with a temperature controller. When the temperature reaches 100 degrees, the motor will shut down 5 minutes to protect the motor.
4. It has a buzzer that will alarm when the oil level is lower than the standard.
5. It has a feed-oil button (**F** button), press the **F** button and the oil will feed immediately.
6. It has a float switch that can detect the volume of oil. It will have abnormal signal automatically when the oil level is lower than the standard.
7. Its function is similar to CESV type. The difference is the location of the time adjuster.

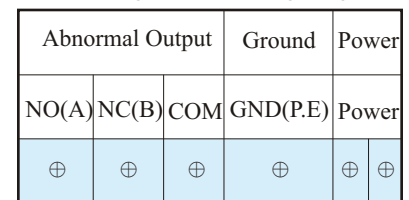
◆ Application of Machines Equipment

1. CESD Turn On-Feeding Type is suitable for the machinery that needs automatically oil feeding after turning on the power.
2. CESD Turn On-Interval Type is suitable for the machinery that has to avoid feeding oil immediately after turning on the power.

Model	Act Time	Interval Time	Motor	Max Volume	Max Pressure	1Ø Voltage	Ampere	Hertz	Discharge Bore	Time Adjuster	Float Switch	Buzzer	Oil Viscosity
CESD	3-60 sec	1-60min or 1-180min	12W	130 cc/min	8kgf/cm ²	110V 220V	1.6A 0.6A	60Hz or 50Hz	Ø4orØ6	Inside The Wiring Box	○ ○	○ ○	32-68cSt@40°C

Model	Tank Code	Tank Material	Capacity	Fixed Hole Distance(mm)	Length (mm)	Width (mm)	Height (mm)	Weight (kg)
CESD	01	Resin	2L	177	215	128	244	3.30
	02	Aluminum	2L	200	218	145	235	4.45
	03	Resin	2.5L	205	230	167	244	3.75
	04	Resin	4L	250	277	162	264	4.30
	05	Aluminum	4L	280	298	167	255	5.30
	08	Iron	8L	338	355	190	280	8.00

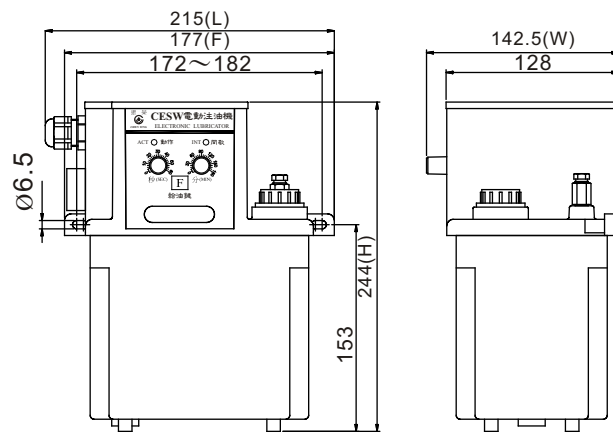
CESD Single Phase Wiring Diagram



◆ Order Code :

CES	D	01	2	C	1	2	※
Model	Tank Capacity(Material)	Time (Act x Interval)	Voltage	Discharge Bore	Operation Model	Special Request	
D : Time Adjuster	01 : 2L (Resin)	1 : 1min×60min	A : 110V,60Hz	0 : Ø4	1 : Turn on-Feeding		
Inside the wiring box	02 : 2L (Aluminum)	2 : 1min×180min	B : 220V,50Hz	1 : Ø6	2 : Turn on-Interval		
	03 : 2.5L (Resin)	3 : 1min×12hours	C : 220V,60Hz	2 : Ø4 (With Pressure Gauge)			
	04 : 4L (Resin)	4 : 1min×72hours		3 : Ø6 (With Pressure Gauge)			
	05 : 4L (Aluminum)						
	08 : 8L (Iron)						

CESW Type Resistance Electric Lubricator



CESW-01 Type Standards Externals

◆ Features

1. The time adjuster of CESW is outside the wiring box. The electronic box has operation indicator and interval time indicator.
2. Two types of this CESW series, Turn On-Feeding Type will feed oil after turning on the power. Turn On-Interval Type will be interval after turning on the power and this type can memorize the original setting time automatically, if the power is suddenly off, after turning on the power, it would continue the unfinished work and avoid repeating to feed oil.
3. It has shaded-pole type motor with a temperature controller. When the temperature reaches 100 degrees, the motor will shut down 5 minutes to protect the motor.
4. It has a buzzer that will alarm when the oil level is lower than the standard.
5. It has a feed-oil button (**F** button), press the **F** button and the oil will feed immediately.
6. It has a float switch that can detect the volume of oil. It will have abnormal signal automatically when the oil level is lower than the standard.
7. Its function is similar to CESD type. The difference is the location of the time adjuster.

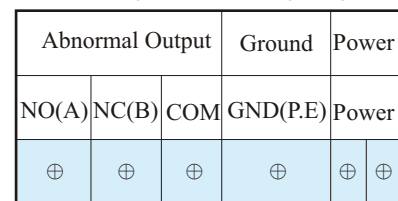
◆ Application of Machines Equipment

1. CESW Turn On-Feeding Type is suitable for the machinery that needs automatically oil feeding after turning on the power.
2. CESW Turn On-Interval Type is suitable for the machinery that has to avoid feeding oil immediately after turning on the power.

Model	Act Time	Interval Time	Motor	Max Volume	Max Pressure	1Ø Voltage	Ampere	Hertz	Discharge Bore	Time Adjuster	Float Switch	Buzzer	Oil Viscosity
CESW	3-60 sec	1-60min or 1-180min	12W	130 cc/min	8kgf/cm ²	110V 220V	1.6A 0.6A	60Hz or 50Hz	Ø4 or Ø6	Outside The Wiring Box	○	○	32-68cSt@40°C

Model	Tank Code	Tank Material	Capacity	Fixed Hole Distance(mm)	Length (mm)	Width (mm)	Height (mm)	Weight (kg)
CESW	01	Resin	2L	177	215	142.5	244	3.30
	02	Aluminum	2L	200	218	160	235	4.45
	03	Resin	2.5L	205	230	167	244	3.75
	04	Resin	4L	250	277	162	264	4.30
	05	Aluminum	4L	280	298	165	255	5.30
	08	Iron	8L	338	355	190	280	8.00

CESW Single Phase Wiring Diagram



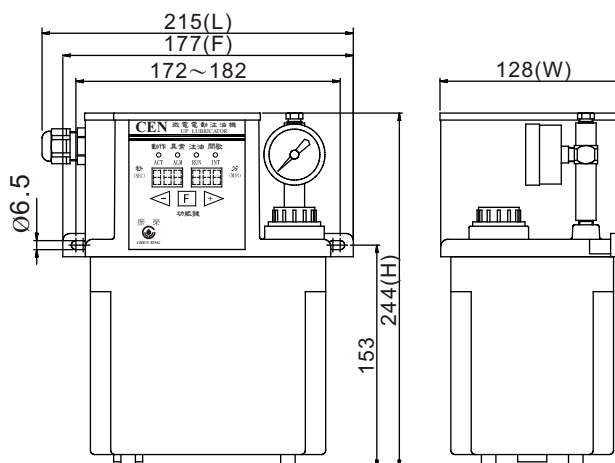
◆ Order code :

CES	W	01	2	C	1	2	※
Model	Tank Capacity(Material)	Time (Act x Interval)	Voltage	Discharge Bore	Operation Model	Special Request	
W : Time Adjuster	01 : 2L (Resin)	1 : 1 min x 60 min	A : 110V,60Hz	0 : Ø4	1 : Turn on-Feeding		
Outside the wiring box	02 : 2L (Aluminum)	2 : 1 min x 180 min	B : 220V,50Hz	1 : Ø6	2 : Turn on-Interval		
	03 : 2.5L (Resin)	3 : 1 min x 12 hours	C : 220V,60Hz	2 : Ø4 (With Pressure Gauge)			
	04 : 4L (Resin)	4 : 1 min x 72 hours		3 : Ø6 (With Pressure Gauge)			
	05 : 4L (Aluminum)						
	08 : 8L (Iron)						

CEN02 Type Resistance Electric Lubricator



CEN02 Type Resistance Electric Lubricator



CEN02-01 Type Standards External

◆ Features

1. CEN02 type has a timer and the timer controls operation and interval time. The electronic box has operation, abnormal, feeding and interval indicators.
2. The electronic box can automatically save the original operation and interval time while the power is suddenly off. After turning on the power, it would return to the original setting time and start the cycle again.
3. It has a float switch that can detect the volume of oil. It will have abnormal signal automatically when the oil level is lower than the standard.
4. It has a buzzer that will alarm when the oil level is lower than the standard.
5. It has a feed-oil button (**F** button), press the **F** button and the oil will feed immediately.
6. It has shaded-pole type motor with a temperature controller. When the temperature reaches 100 degrees, the motor will shut down 5 minutes to protect the motor.
7. It has a pressure gauge for checking if the pressure is normal.
8. Its function is similar to CEN01 type. The difference is CEN01 type is without timer (also could be controlled by Programmable Logic Controller) and CEN02 type is controlled by a timer. CEN03 and CEN04 types are pressure-relief type electric lubricators.

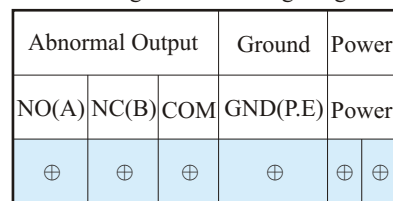
◆ Application of Machines Equipment

It usually works with processing or projecting machinery.

Model	Act Time	Interval Time	Motor	Max Volume	Max Pressure	1Ø Voltage	Ampere	Hertz	Discharge Bore	Oil Viscosity
CEN02	1-999 sec	1-999 sec or min	12W	130 cc/min	15kgf/cm ²	110V 220V	2.5A 1A	60 Hz or 50Hz	Ø4 or Ø6	32-68cSt@40°C

Model	Tank Code	Tank Material	Capacity	Fixed Hole Distance(mm)	Length (mm)	Width (mm)	Height (mm)	Weight (kg)
CEN02	01	Resin	2L	177	215	128	244	3.80
	02	Aluminum	2L	200	218	145	235	5.10
	03	Resin	2.5L	205	230	167	244	4.40
	04	Resin	4L	250	277	162	264	5.00
	05	Aluminum	4L	280	298	167	255	5.95
	08	Iron	8L	338	355	190	280	8.65

CEN02 Single Phase Wiring Diagram



◆ Order code :

CEN 02	01	2	C	3	※
Model	Tank Capacity(Material)	Time(Act x Interval)	Voltage	Discharge Bore	Special Request
02 : Resistance Type,	01 : 2L (Resin)	1 : sec x sec	A : 110V,60Hz	0 : Ø4	
Controlled By	02 : 2L (Aluminum)	2 : sec x min	B : 220V,50Hz	1 : Ø6	
Timer	03 : 2.5L (Resin)		C : 220V,60Hz	2 : Ø4 (With Pressure Gauge)	
	04 : 4L (Resin)			3 : Ø6 (With Pressure Gauge)	
	05 : 4L (Aluminum)				
	08 : 8L (Iron)				



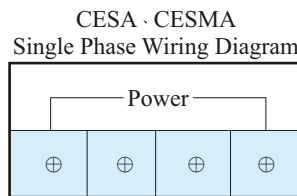
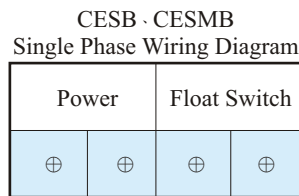
CESA/B, CESMA/B, CESC, CESS Type Resistance Electric Lubricator

◆ Features

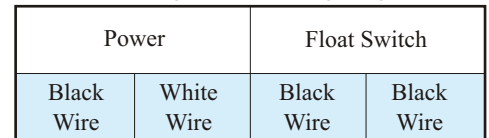
1. CES resistance type electric lubricator series include CESA/B, CESMA/B, CESC and CESS type, and the accessories are different by each model. Please refer to the specification for further details.
2. The interval time could be set up on request (2, 3, 5, 10, 15, 30, 60 minutes), supply the power, and the lubricator will work automatically.
3. The discharge volume could be set up on request and customers can adjust it by themselves. The standard specification of discharge volume is 3-6 cc/stroke, 1-6 cc/stroke is also on request.
4. CES series used a Japanese synchronous motor, a worm gear and a worm shaft working together, it's quite durable.
5. CESB and CESMB have float switches for checking the oil level, the standard specification of float switch is NO (Normal Open) contact, which means when the oil level is normal, it will have signals. NC (Normal Close) contact is also on request.
6. CESC type also has a float switch, which will have abnormal signal automatically when the oil level is lower than the standard.

◆ Application of Machines Equipment

1. It is suitable for the machinery which needs fixed interval time and discharge volume.
2. It usually works with desktop lathes or carpentry machinery or press machines.



CESS Single Phase Wiring Diagram



1. CESS type has no terminal base.
2. CESS type standards has no float switch, but could be assembled one on request.

Model	Interval Time	Motor	cc/stroke	Max Pressure	1Ø Voltage	Ampere	Hertz	Discharge Bore	Oil Viscosity
CESA	2、3、5、10、 15、30、60 min	4W	3-6cc	3kgf/cm ²	110V 220V	0.1A 0.05A	50/60Hz	Ø 4 or Ø 6	32-68cSt@40°C
CESB									
CESMA	Optional								
CESMB	(Non-adjustable)								
CESS			1-3cc						

Model	Capacity	Fixed Hole Distance(mm)	Length (mm)	Width (mm)	Height (mm)	Weight (kg)	Float Switch	Wiring	Buzzer	IC Board
CESA	2L	176	197	139	250.5	1.91	×	Pull Out	×	×
CESB			197	139	250.5	1.97	○		×	×
CESMA			205	139	250.5	2.07	×	Inside	×	×
CESMB			205	139	250.5	2.13	○		×	×
CESS			1L	100	125	89	203	1.28	×	Pull Out

◆ Order code :

CES	A	10	C	6	3	※
Model	Interval	Voltage	Discharge Volume	Discharge Bore	Special Request	
A : Standards, Wiring Pull Out	02 : 2min	A : 110V	1 : 1cc	0 : Ø4	※L : Add a Light	
B : With Float Switch, Wiring Pull Out	03 : 3min	C : 220V	2 : 2cc	1 : Ø6		
MA : Standards, Wiring Inside	05 : 5min		3 : 3cc	2 : Ø4 (With Pressure Gauge)		
MB : With Float Switch, Wiring Inside	10 : 10min		4 : 4cc	3 : Ø6 (With Pressure Gauge)		
C : With IC Box and Buzzer	15 : 15min		5 : 5cc			
	30 : 30min		6 : 6cc			
	60 : 60min					

◆ Order code :

CES	S	10	C	3	1	※
Model	Interval	Voltage	Discharge Volume	Discharge Bore	Special Request	
S : Standards, Tank Capacity 1L	02 : 2min	A : 110V	1 : 1cc	0 : Ø4	※B : Add a Buzzer	
SB : With Float Switch	03 : 3min	C : 220V	2 : 2cc	1 : Ø6		
Tank Capacity 1L	05 : 5min		3 : 3cc			
	10 : 10min					
	15 : 15min					
	30 : 30min					
	60 : 60min					

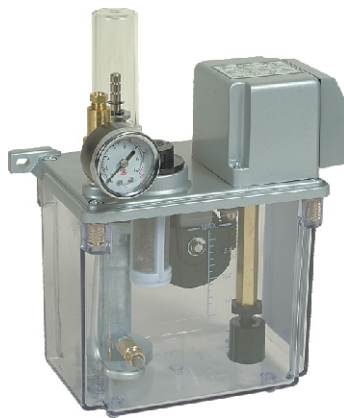
CESA/B、CESMA/B、CESC、CESS Type Resistance Electric Lubricator



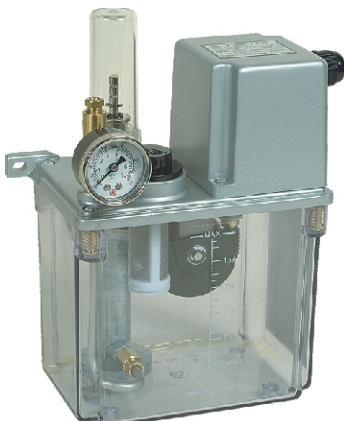
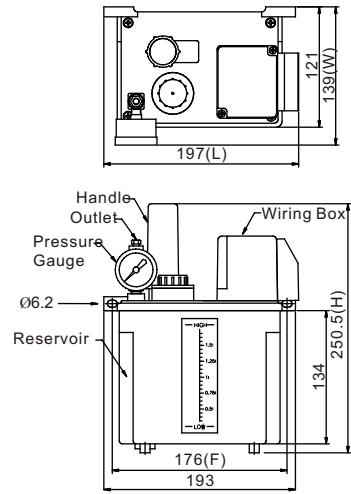
CESA/B、CESMA/B、CESC、CESS Type Resistance Electric Lubricator



CESA



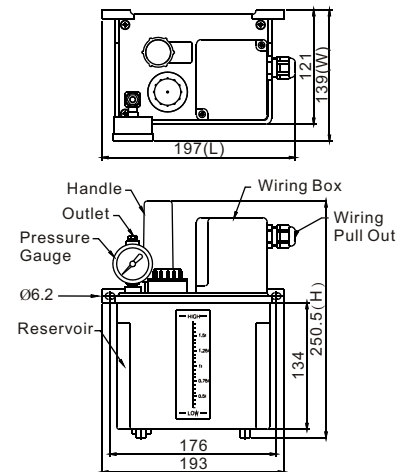
CESB



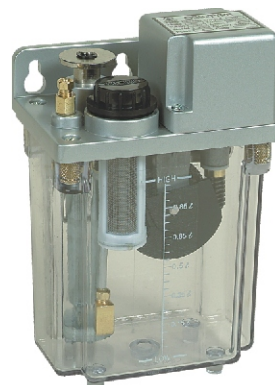
CESMA



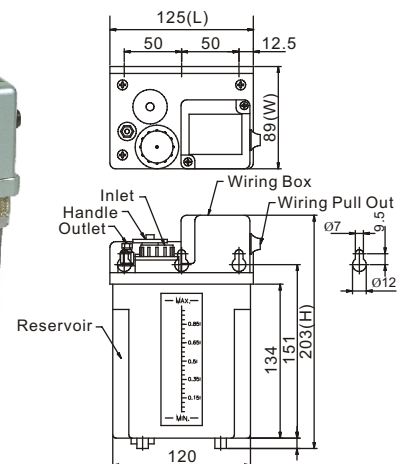
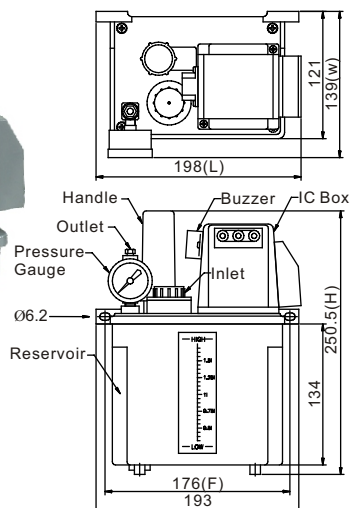
CESMB



CESC



CESS





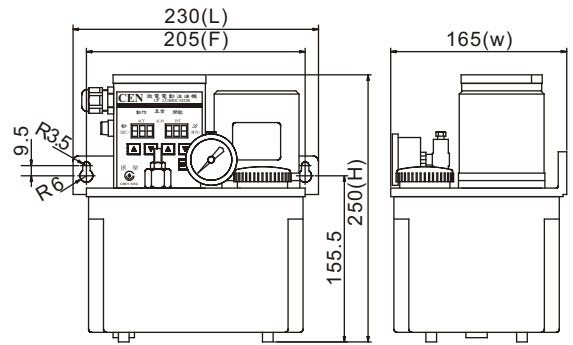
CENA Type Resistance Electric Lubricator

◆Taiwanese Patent NO.157504



CENA-03
Type Standards

CENA-03
Type With Larger Buzzer



CENA-03
Type Standards Externals

◆Features

- 1.CENA type has Taiwanese Patent No. 157504, Chinese Patent No. ZL02200902.7 and Japanese Patent No. 3016033.
- 2.CENA type has a timer and the timer controls the operation and interval time. The electronic box has operation, abnormal and interval indicators.
- 3.It used a fuse to eliminate unusual electric currents and prevent the motor from overloading.
- 4.It has a pressure-regulating valve, which can adjust the pressure and easy to check from the pressure gauge.
- 5.It has a float switch that can detect the volume of oil. It will have abnormal signal automatically when the oil level is lower than the standard.
- 6.It has a reset button (RES button), press the button, and it would return to the original setting time and start the cycle again.
- 7.CENA type could be installed a 1 kg/cm² pressure switch on request for detecting if the piping works normally. The standard specification is NC (Normal Close) contact, which means if the pressure is abnormal, it will have signal.
- 8.It has a small buzzer inside but also can be added a large buzzer on request.

◆Application of Machines Equipment

It usually works with processing or projecting machinery.

CENA Single Phase Wiring Diagram

Abnormal Output			Ground	Power
NO(A)	NC(B)	COM	GND(P.E)	Power
⊕	⊕	⊕	⊕	⊕ ⊕

Model	Act Time	Interval Time	Motor	Max Volume	Max Pressure	∅ Voltage	Ampere	Hertz	Discharge Bore	Oil Viscosity
CENA	1-999 sec	1-999 min or 1-999 sec	25W	250 cc/min	12kgf/cm ²	110V 220V	0.5A 0.25A	50/60Hz	∅ 4 or ∅ 6	32-68cSt@40°C
			60W	500 cc/min	30kgf/cm ²	110V 220V	1.2A 0.6A			

Model	Tank Code	Tank Material	Capacity	Fixed Hole Distance(mm)	Length (mm)	Width (mm)	Height (mm)	Weight(kg)
CENA (25W)	03	Resin	2.5L	205	230	165	250	5.05
	04	Resin	4L	250	275	160	270	5.65
	05	Aluminum	4L	280	298	165	260	6.65
	08	Iron	8L	338	355	190	290	9.40
Model	Tank Code	Tank Material	Capacity	Fixed Hole Distance(mm)	Length (mm)	Width (mm)	Height (mm)	Weight(kg)
CENA (60W)	04	Resin	4L	250	275	160	320	6.70
	05	Aluminum	4L	280	298	165	310	7.70
	08	Iron	4L	338	355	190	340	10.45

◆Order code :

CEN | **A** | **03** | **2** | **C** | **25** | **3** | **※**

Model : Tank Capacity (Material) | Time (Act x Interval) | Voltage | Motor | Discharge Bore | Special Request

A : Resistance Type | 03 : 2.5L (Resin) | 1 : sec x sec | A : 110V | 25 : 25W | 0 : ∅4 | ※60 : 4L above metal tank could be assembled with 60W motor.

04 : 4L (Resin) | 2 : sec x min | C : 220V | 1 : ∅6 | ※90 : 4L above metal tank could be assembled with 90W motor.

05 : 4L (Aluminum) | | | | 2 : ∅4 (With Pressure Gauge) | ※B : Add a larger buzzer

08 : 8L (Iron) | | | | 3 : ∅6 (With Pressure Gauge)

12 : 12L (Iron)

16 : 16L (Iron)

CENA Type Resistance Electric Lubricator

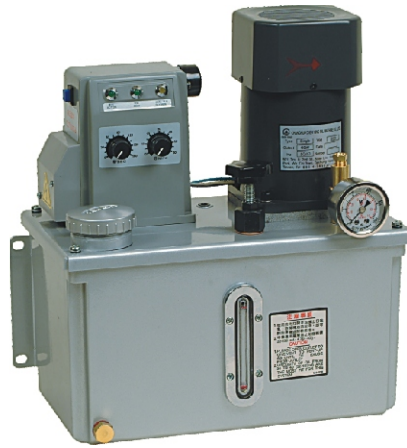
CEA Type Resistance Electric Lubricator



CEA Type Resistance Electric Lubricator



CEA-05(25W)



CEA-05(60W)



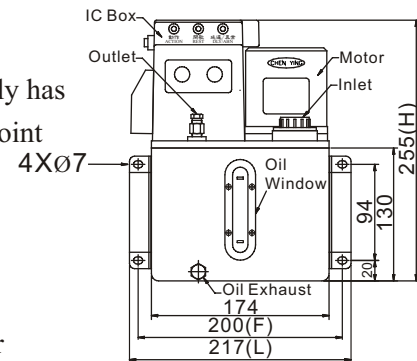
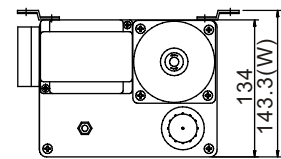
CEA-02

◆ Features

- 1.CEA type has a timer and the timer controls the operation and interval time. The electronic box has an operation, interval and abnormal indicators.
- 2.It has a float switch that can detect the volume of oil. It will have abnormal signal automatically when the oil level is lower than the standard.
- 3.It has a feed-oil button, press the button and the oil will feed immediately.
- 4.It used a high quality alloy steel gear pump and induction motor that not only has steady output pressure and low noise, but also can assure each lubrication point with output of oil. It can be applied for large machines' request.
- 5.CEA 4L type has a pressure-regulating valve for adjusting the pressure and checking if the pressure is normal.

◆ Application of Machines Equipment

It can be specially used for the machines requiring larger oil-output and larger pressure-output.

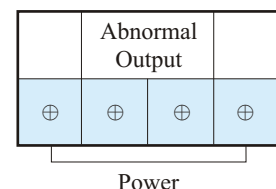


CEA-02
Type Standards Externals

Model	Act Time	Interval Time	Motor	Max Volume	Max Pressure	1Ø Voltage	Ampere	Hertz	Discharge Bore	Oil Viscosity
CEA	3sec -3min	1-60min	25W	250cc/min	12kgf/cm ²	110V	0.7A	50/60Hz	Ø4orØ6	32-68cSt@40°C
		1-180min 1-360min	60W	600cc/min	30kgf/cm ²	110V 220V	0.25A 1A 0.65A			

Model	Tank Code	Tank Material	Capacity	Fixed Hole Distance(mm)	Length (mm)	Width (mm)	Height (mm)	Weight (kg)
CEA(25W)	02	Aluminum	2L	200	217	143.3	255	5.44
	04	Resin	4L	250	269	184	276	5.45
	05	Aluminum	4L	280	311	184	276	6.45
	08	Iron	8L	338	355	189	295	9.40
Model	Tank Code	Tank Material	Capacity	Fixed Hole Distance(mm)	Length (mm)	Width (mm)	Height (mm)	Weight (kg)
CEA(60W)	04	Resin	4L	250	275	160	255	6.55
	05	Aluminum	4L	280	298	165	310	7.50
	08	Iron	8L	338	355	190	340	10.45

CEA Single Phase
Wiring Diagram



◆ Order code :

CE A 02 060 C 25 1 ✱

Model : Resistance Type
 Tank Capacity(Material)
 Interval
 Voltage
 Motor
 Discharge Bore

Special Request
 ✱60 : 4L above metal tank could be assembled with 60W motor.
 ✱90 : 4L above metal tank could be assembled with 90W motor.