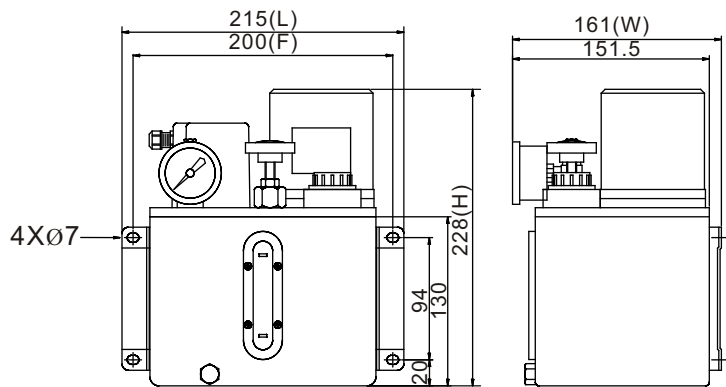
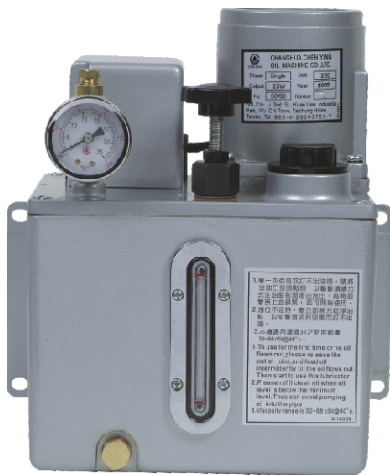




# CEV Resistance Type Electric Lubricator

CEV Resistance Type Electric Lubricator

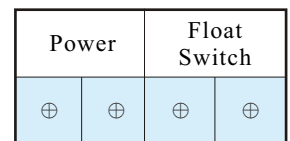


CEV-02(25W) Type Standards Externals

### ◆ Features

1. CEV type is without timer (also could be controlled by Programmable Logic Controller) and can work with many kinds of open type distributors and proportion adapters.
2. It has a pressure-regulating valve for checking if the pressure is normal.
3. It has a float switch that can detect the volume of oil and will have abnormal signal automatically when the oil level is lower than the standards. The standard specification of float switch is NC (Normal Close) contact, NO (Normal Open) contact is on request.
4. It has a pressure gauge for checking if the pressure is normal.
5. It used a high quality alloy steel gear pump and induction motor that not only has steady output pressure and low noise, but also can assure each lubrication point with output of oil. It can be applied for large machines' request.
6. For CEV 2.5L or above, it can be added a pressure switch, power indicator and feed-oil button on request.
7. CEV type series include CEV02, CEV03, CEV04, CEV05, and CEV08. The accessories are different for each model. Please refer to the specification for further details.

CEV Single Phase Wiring Diagram



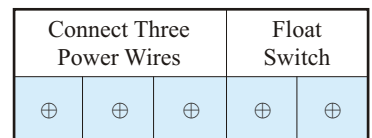
### ◆ Application of Machines Equipment

1. It can be specially used for the machine requiring larger oil-output and larger pressure-output.
2. It usually works with processing or projecting machinery.

Model	Motor	Max Volume	Max Pressure	Voltage	Ampere	Hertz	Discharge Bore	Oil Viscosity
CEV	25W	250cc/min	12kgf/cm <sup>2</sup>	1Ø 110V 1Ø 220V 3Ø Optional	0.7A 0.2A 0.3A	50/60Hz	Ø4orØ6	32-68cSt@40°C
	60W	600cc/min	30kgf/cm <sup>2</sup>	1Ø 110V 1Ø 220V 3Ø Optional	1A 0.65A 0.35A			

Model	Tank Code	Tank Material	Capacity	Fixed Hole Distance(mm)	Length (mm)	Width (mm)	Height (mm)	Weight (kg)
CEV(25W)	02	Aluminum	2L	200	215	161	228	5.50
	03	Resin	2.5L	205	230	165	240	4.85
	04	Resin	4L	250	280	165	260	5.45
	05	Aluminum	4L	280	295	165	255	6.40
	08	Iron	8L	338	355	190	275	9.15
CEV(60W)	04	Resin	4L	250	275	160	320	6.50
	05	Aluminum	4L	280	295	165	310	7.45
	08	Iron	8L	338	355	190	340	10.20

CEV Three Phase Wiring Diagram



While connecting wires, please notice that if the motor rotate anti-clockwise (see the red spot of spindle). If the motor rotate clockwise, please change positions of two power wires, then try again.

PS.If there are special requests,please refer to the special wiring diagram inside the lubricator.

### ◆ Order code :

CE	V	02	C	25	3	※
Model :	Tank Capacity(Material)	Voltage	Motor	Discharge Bore	Special Request	
Resistance Type	02 : 2L (Aluminum)	A : 1Ø110V	25 : 25W	0 : Ø4	※F : Add a Feed-Oil Button	
	03 : 2.5L (Resin)	C : 1Ø 220V		1 : Ø6	※P : Add a Pressure Switch	
	04 : 4L (Resin)	D : 3Ø220/380V		2 : Ø4 (With Pressure Gauge)	※L : Add a light	
	05 : 4L (Aluminum)	E : 3Ø 220/440V		3 : Ø6 (With Pressure Gauge)	※60 : 4L above metal tank could be assembled with 60W motor.	
	08 : 8L (Iron)	F : 3Ø 208/415V			※90 : 4L above metal tank could be assembled with 90W motor.	
	20 : 20L (Iron)	G : 3Ø230/460V				
		H : 3Ø240/480V V				
		X : Special Voltage				