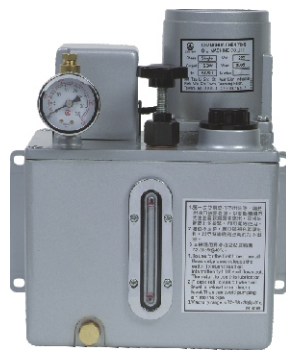


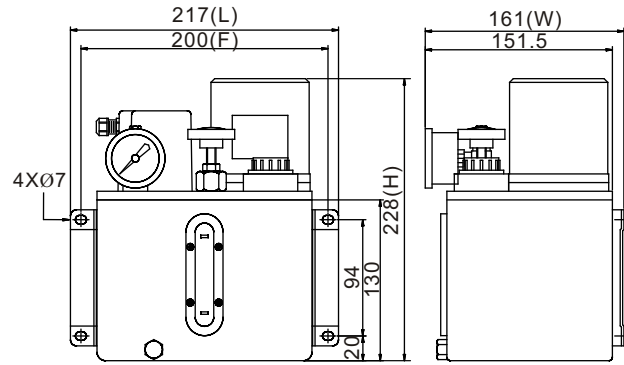
CEVB Type Pressure-Relief Electric Lubricator



CEVB-08
(60W、With pressure switch、
Feed-Oil Button and light)



CEVB-02



CEVB-02 Type Standards Externals

◆ Features

1. CEVB type is without timer (also could be controlled by Programmable Logic Controller) and has to work with volume distributors. If it is operated with CAB or CBB type volume distributor, it will feed oil during operation time. If it is operated with CDB or T type volume distributor, it will feed oil during interval time.
2. The discharge volume is fixed. Each output point of volume distributor has equal oil amount.
3. It has a pressure-regulating valve, which can adjust the pressure and easy to check from the pressure gauge.
4. It has a float switch that can detect the volume of oil. It will have abnormal signal automatically when the oil level is lower than the standard.
5. It used a high quality alloy steel gear pump and induction motor that not only has steady output pressure and low noise, but also can assure each lubrication point with output of oil. It can be applied for large machines' request.
6. For CEVB 2.5L or above, it can be added a pressure switch, power indicator and feed-oil button.
7. CEVB series of products include CEVB02, CEVB03, CEVB04, CEVB05, CEVB08.

The accessories for each model are different. Please look at the specification for further details.

◆ Application of Machines Equipment

1. It can be used for the machines requiring strictly rationing oil flow.
2. It can be specially used for the machines requiring larger oil-output and larger pressure-output.
3. It is usually used for such as processing machines or projecting machines.

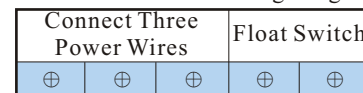
CEVB Single Phase Wiring Diagram



Model	Motor	Max Volume	Max Pressure	Voltage	Ampere	Hertz	Discharge Bore	Oil Viscosity
CEVB	25W	250 cc/min	20kgf/cm ²	1Ø 110V 1Ø 220V 3Ø Optional	0.7A 0.2A 0.3A	50/60Hz	Ø4 or Ø6	32-68cSt@40°C
	60W	600 cc/min	30kgf/cm ²	1Ø 110V 1Ø 220V 3Ø Optional	1A 0.65A 0.35A			

Model	Tank Code	Tank Material	Capacity	Fixed Hole Distance(mm)	Length (mm)	Width (mm)	Height (mm)	Weight (kg)
CEVB (25W)	02	2L	Aluminum	200	217	161	228	5.75
	03	2.5L	Resin	205	230	165	240	5.05
	04	4L	Resin	250	280	165	260	5.65
	05	4L	Aluminum	280	298	165	255	6.60
	08	8L	Iron	338	355	190	275	9.30
Model	Tank Code	Tank Material	Capacity	Fixed Hole Distance(mm)	Length (mm)	Width (mm)	Height (mm)	Weight (kg)
CEVB (60W)	04	4L	Resin	250	275	160	320	6.70
	05	4L	Aluminum	280	298	165	310	7.65
	08	8L	Iron	338	355	190	340	10.40

CEVB Three Phase Wiring Diagram



While connecting wires, please notice that if the motor rotate anti-clockwise (see the red spot of spindle). If the motor rotate clockwise, please change positions of two power wires, then try again.

PS.If there are special requests, please refer to the special wiring diagram inside the lubricator.

◆ Order code :

CE	VB	02	C	25	3	※
Model :	Tank Capacity(Material)	Voltage	Motor	Discharge Bore	Special Request	
Pressure-Relief Type	02 : 2L (Aluminum)	A : 1Ø 110V	25 : 25W	0 : Ø 4	※F : Add a Feed-Oil Button	
	03 : 2.5L (Resin)	C : Ø 220V	60 : 60W	1 : Ø 6	※P : Add a Pressure Switch	
	04 : 4L (Resin)	D : 3Ø 220/380V		2 : Ø 4 (With Pressure Gauge)	※L : Add a light	
	05 : 4L (Aluminum)	E : 3Ø 220/440V		3 : Ø 6 (With Pressure Gauge)	※60 : 4L above metal tank could be assembled with 60W motor.	
	08 : 8L (Iron)	F : 3Ø 208/415V			※90 : 4L above metal tank could be assembled with 90W motor.	
	20 : 20L (Iron)	G : 3Ø 230/460V				
		H : 3Ø 240/480V				
		X : Special Voltage				